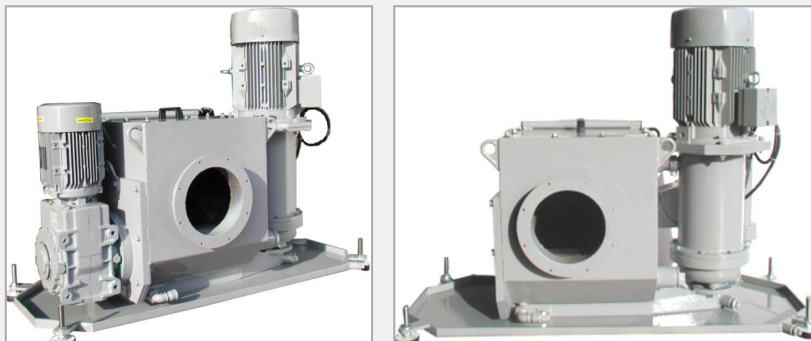


Coolant lifting

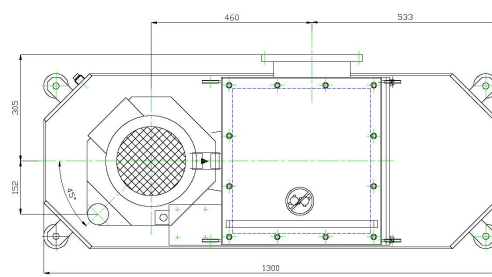
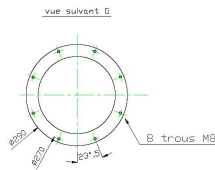
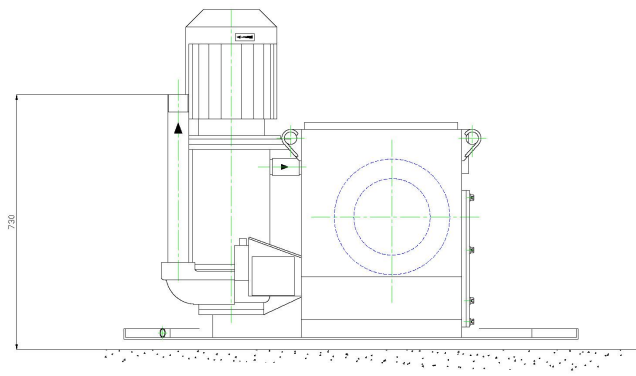
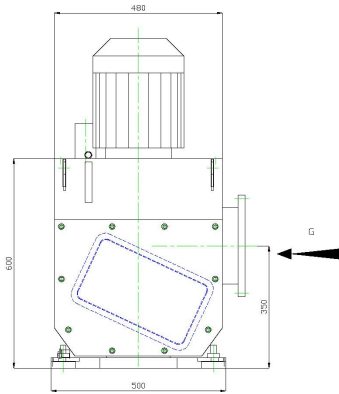


The coolant lifter tank it's the achievement of several years of company's experience on chips and coolant lifting by Vortex pumps and transfer by piping.

AVANTAGES

- Elimination of the conveyor between machine tank and lifting tank,
- No civil engineering,
- Tank directly flanged to the machine frame,
- If necessary, for chips > 20mm, integration of a crusher,
- Reduced dimensions.

TECHNICAL DATA



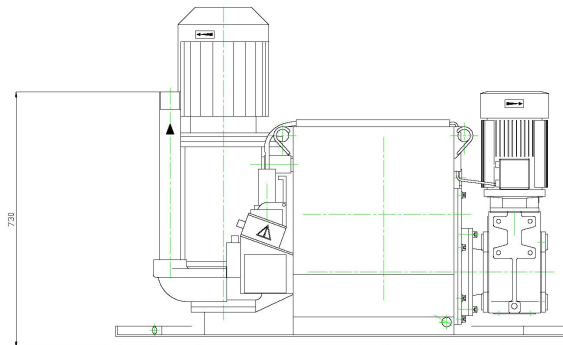
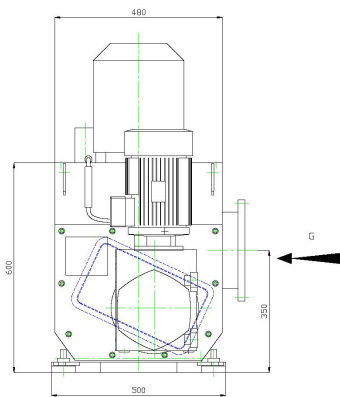
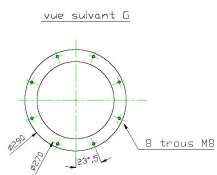
CE PLAN EST LA PROPRIETE DE LA SOCIETE OMSAT ET NE PEUT ETRE REPRODUIT OU COMMUNIQUE SANS AUTORISATION ECRITE

IM COM 18 Ind. H - RELMONO-FR

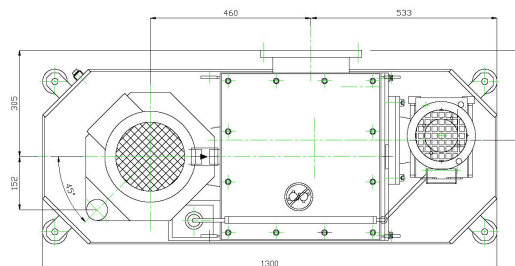
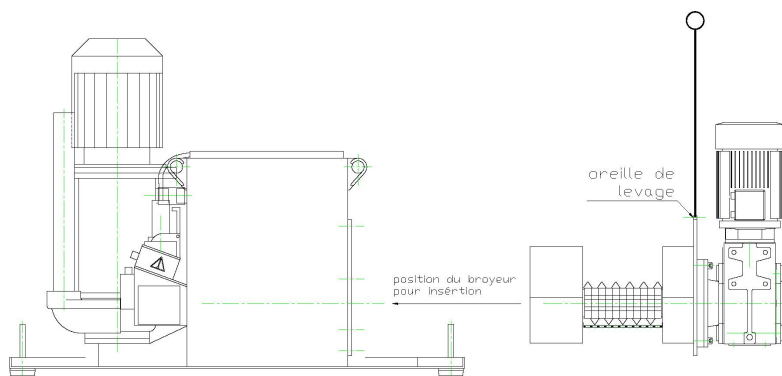
PLAN RELMONO-COM



OMSAT FRANCE
ZONE INDUSTRIELLE
38530 PONTCHARRA



INSTALLATION DU BROYEUR
DANS LE BAC DE RELEVAGE.



CE PLAN EST LA PROPRIETE DE LA SOCIETE OMSAT ET NE
PEUT ETRE REPRODUIT OU COMMUNIQUE SANS AUTORISATION ECRITE

IM COM 18 Ind. H - RELMONO-FR

PLAN RELMONO-COM
BRD1 - 1 TRAIN

OMSAT France
ZONE INDUSTRIELLE
38530 PONTCHARRA