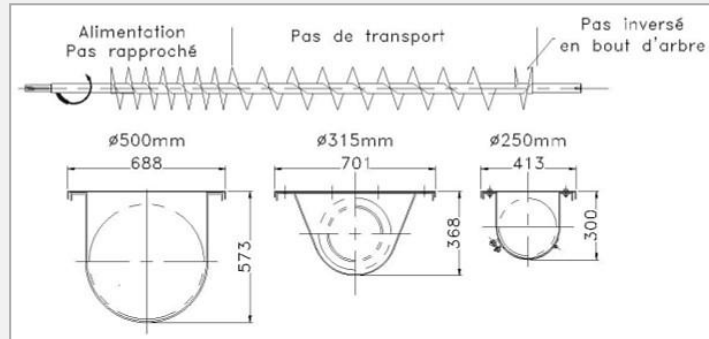
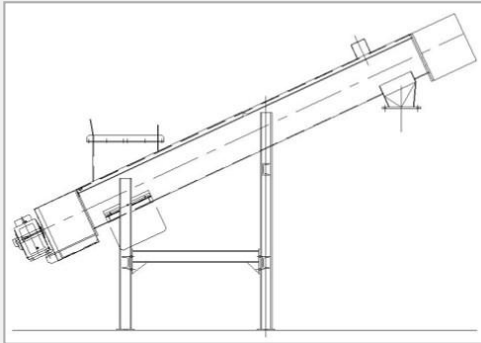


## Screw conveyors



- All product. All flow.
- For transport or extraction.
- Trough: U-shape or widen.
- All steel grade: E24, Stainless, 16Mo3, Abramax etc.
- Rotation controller.
- Tamping detector.
- Trapdoor with safety grid.
- Torque limiter.
- Outsourcing lubricators.
- Adaptation according to your need.

### TECHNICAL DATA

Øext spires  
de: 150 à 800mm

